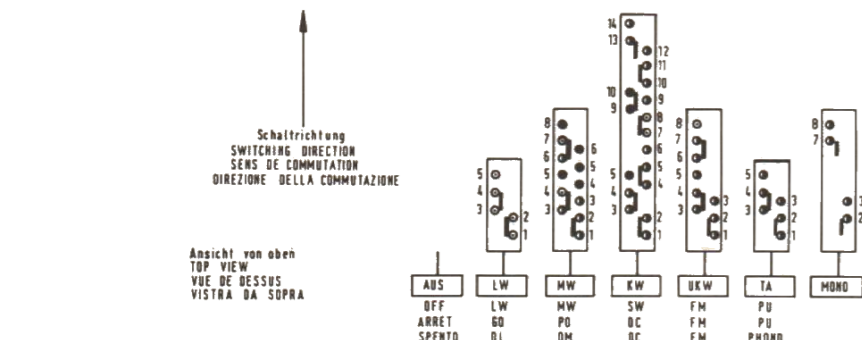


Wellenbereiche
WAVE BANDS
GAMMES D'ONDES
GAMME D'ONDA

UKW - FM	87,5	108 MHz
KW - SW-DC	5,9	16,2 MHz
MW - PB-DM	510	1620 KHz
LW - DL	145	350 KHz

Ferritantenne
FERRITE AERIAL
ANTENNA FERRITE

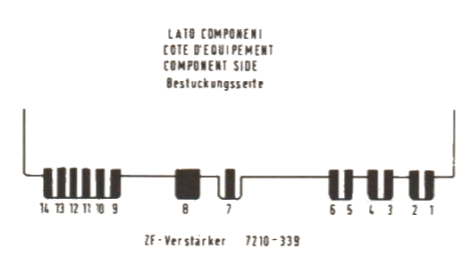


● Kontakt oben
CONTACT AT TOP
CONTACT EN HAUT
CONTATTI DA SOPRA

● Kontakt unten (kurz)
CONTACT AT BOTTOM (SHORT)
CONTACT EN BAS (COURT)
CONTATTI DA SOTTO (CORTO)

● Kontakt oben und unten (kurz)
CONTACT AT TOP AND BOTTOM (SHORT)
CONTACT EN HAUT ET EN BAS (COURT)
CONTATTI SOPRA E SOTTO (CORTO)

Gezeichnete Stellung „Aus“
SHOWN IN „OFF“ POSITION
MONTRE EN POS. „ARRET“
COMMIUTAZIONE IN POSIZIONE „SPERTO“



Anderungen vorbehalten
ALTERATIONS RESERVED
MODIFICAZIONI RISERVATE
CON RISERVA DI MODIFICA

Spannungen mit Grundig
VOLTAGES MEASURED WITH
TENSIONS MESUREES AVEC
TENSIONI MISURATE SENZA
VOLTAGE METER WITHOUT SIGNAL
VOLTIMETRO ELETTRONICO
GRUNDIG

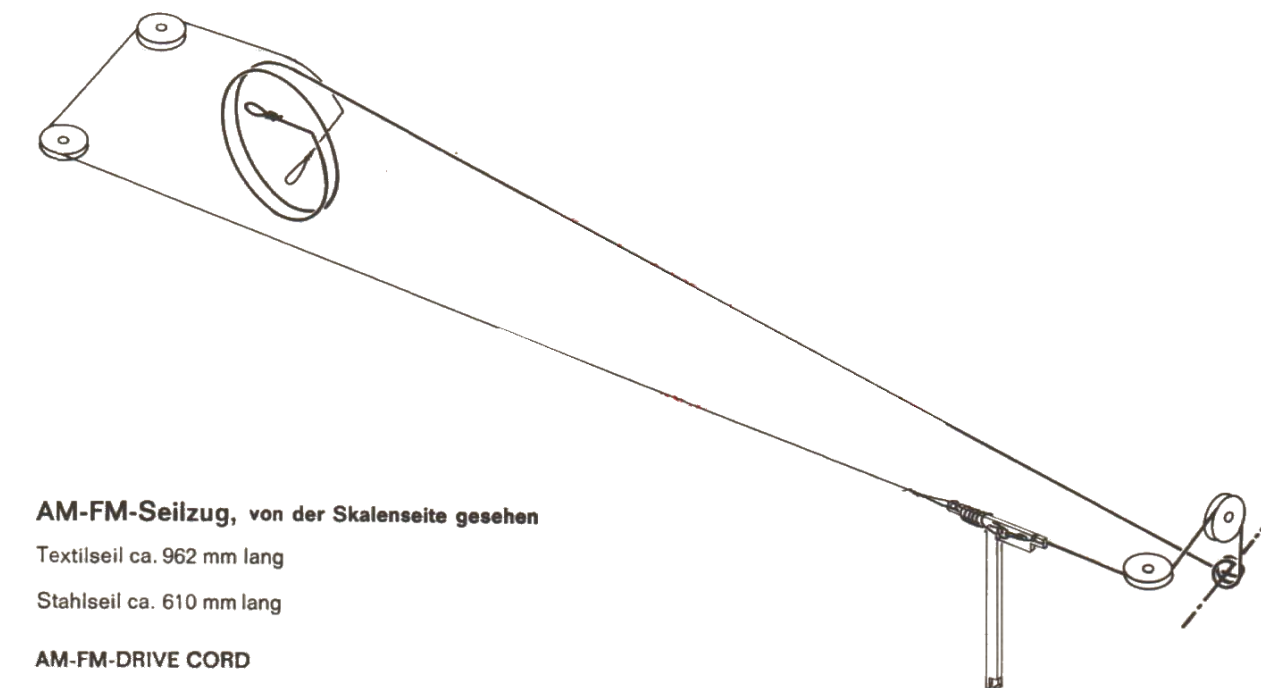
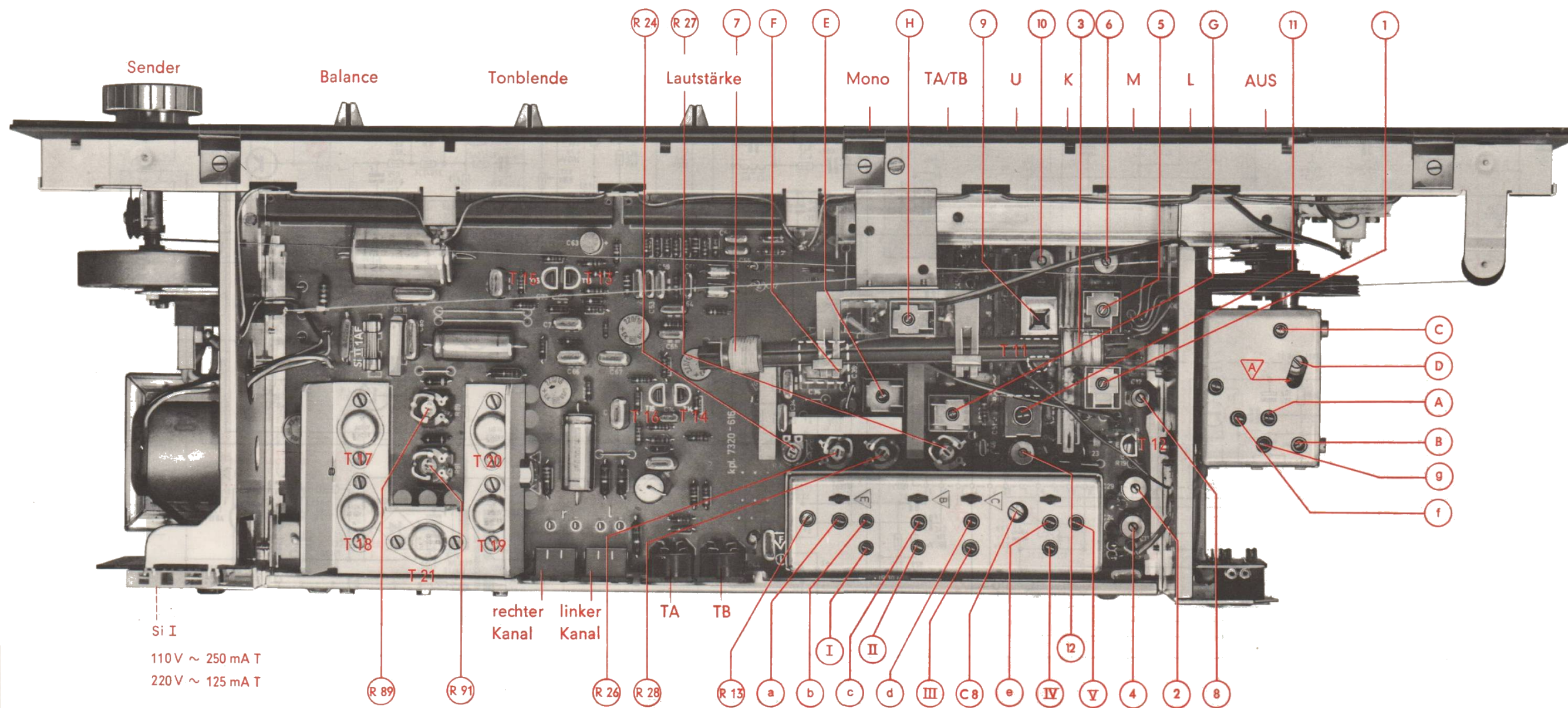
Vornummern für
INDEX NUMBER FOR
CHIFFRES REPRES POUR
SIFLA PER
Leistungsaufnahme ohne Signal 7W
ber Vollaststeuerung (2x4 W 1000Hz) 25 W (DkW)
POWER CONSUMPTION APPROX 7 W WITHOUT SIGNAL AT MAXIMUM
LEVEL (2x4 W 1000Hz) 25 W (DkW)
CONSUMAZIONE ENVI 7 W SANS SIGNAL A MODULATION MAXIMALE
(2x4 W 1000Hz) 25 W (DkW)
DISSIPAZIONE SENZA SEGNALE 7 W A MASSIMO PILOTTAGGIO
(2x4 W 1000Hz) 25 W (DkW)

Ersatztypen in Klammern
INTERCHANGEABLE TYPES IN
CHIFFRES REPRES POUR
TIPI DI RICEHANDE EN PARENTHESES
RICAMBI ()



AM-FM-Grundchassis RC 400
(19-8074-1001)
RTV500
(11-1807-1123)

C	101, 102, 103, 104, 105, 106, 107,	11, 11, 12, 13,	15, 16,	17, 18,	19, 21,	23, 24, 26, 28, 29,	31, 32,	33, 34,	35, 36,	37,	38,	39,	41, 42,	43, 44,	45, 46, 48, 49,	51,	52, 54, 56, 58, 61,	63, 65,	66,	68, 69, 71, 73,	75,	77, 78, 79,	81,	82, 83,	84,
R	110,	11,	12, 13, 14,	15,	16, 17, 18, 19,	20, 21, 22,	23,	24,	25,	26,	27, 28,	29, 30,	31, 32,	33, 34, 35, 36,	37, 38, 39,	40,	41, 42, 44, 46, 48, 51, 53, 55, 57, 59,	62, 64, 66, 68, 71, 73, 75, 77, 79, 82, 84,	86, 88, 91, 93, 95, 97,	98,	99, 100, 101, 102, 103, 104, 105, 106, 107,	108, 109, 110,	111, 112, 113, 114, 115, 116, 117, 118, 119, 120,	121, 122, 123, 124, 125, 126, 127, 128, 129, 130, 131, 132, 133, 134, 135, 136, 137, 138, 139, 140, 141, 142, 143, 144, 145, 146, 147, 148, 149, 150, 151, 152, 153, 154, 155, 156, 157, 158, 159, 160, 161, 162, 163, 164, 165, 166, 167, 168, 169, 170, 171, 172, 173, 174, 175, 176, 177, 178, 179, 180, 181, 182, 183, 184, 185, 186, 187, 188, 189, 190, 191, 192, 193, 194, 195, 196, 197, 198, 199, 200,	



AM-FM-Seilzug, von der Skalenseite gesehen

Textilseil ca. 962 mm lang

Stahlseil ca. 610 mm lang

AM-FM-DRIVE CORD

Textile Cord, approx. 962 mm long

Steel Cord, approx. 610 mm long

ENTRAINEMENT AM-FM, VUE DU COTE CADRAN

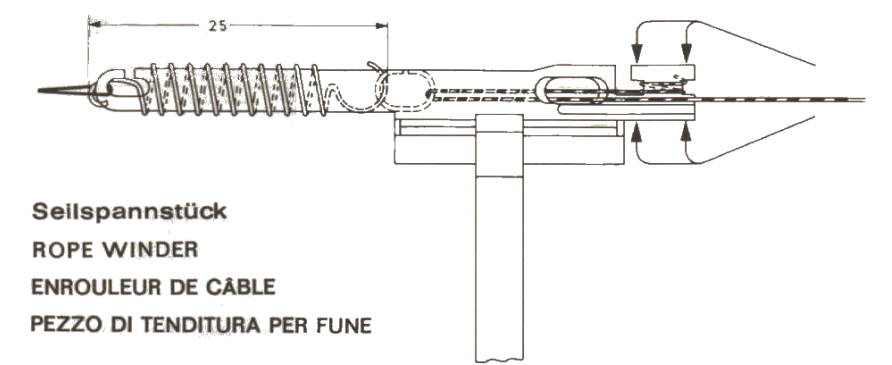
Câble textile, env. 962 mm de longueur

Câble acier, env. 610 mm de longueur

TRASMISSIONE AM-FM, A FUNE VISTA DAL LATO DELLA SCALA

Funicella in materiale tessile lunga circa 962 mm.

Funicella in acciaio lunga circa 610 mm.



Seilspannstück
ROPE WINDER
ENROULEUR DE CÂBLE
PEZZO DI TENDITURA PER FUNE

